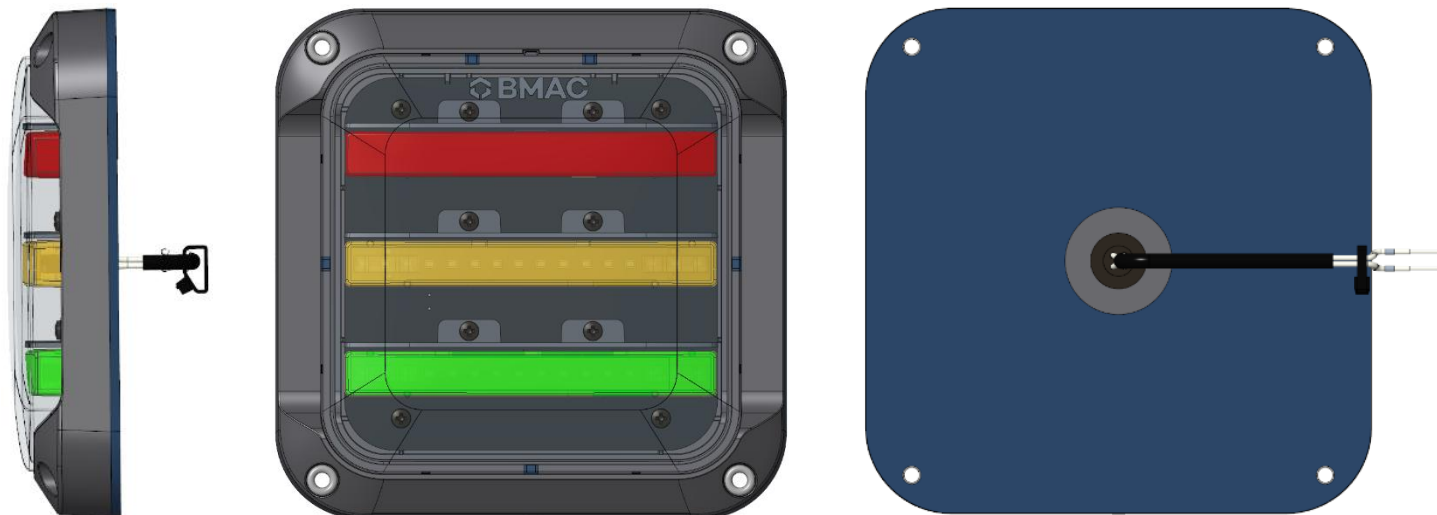


Tricolour Lateral Indicator – 2361 series

BMAC's new Tricolour LED indicator lights are suitable for use with vehicle passenger door systems along with other applications, each coloured LED light strip can be utilised to perform individually, or in conjunction with each other in any combination to suit customer needs.



These units operate as on or off function modes and are available in 110V, with flying lead or Hypertac Connector variants.

Product Code	Description
2361-110-01	Tricolour Lateral Indicator (110V)
2361-110-02	Tricolour Lateral Indicator (110V) + Hypertac Connector



BMAC[®]
A Methode Electronics Company

Tricolour Lateral Indicator – 2361 series

Function / Homologation

Functions	Body-side Indicator (2 LED rows), Row 1: Red Indicator Light - On/Off Mode Row 2: Amber Indicator Light - On/Off Mode Row 3: Green Indicator Light - On/Off Mode (Any combination of the above colours can be utilised as needed)
Homologation / Compliance	ISO 16750-5 (Chemical Loads) EN 50155:2021 (Environmental Reliability - Thermal Loads) EN 50121-3-2:2016+A1:2019 (EMC) EN 50155:2021 (Mechanical Design & Power of Electronic Equipment) REACH Reg (EC) 1907/2006

Optical, Electrical, & Operational Features

LED Info	15 LEDs per row
Emitting Colour	Red, Amber, Green
Candela Level	Red Indicator Light – 39Cd Amber Indicator Light – 45Cd Green Indicator Light – 49Cd
Lux Level	Red Indicator Light – 39Lux Amber Indicator Light – 45Lux Green Indicator Light – 49Lux
Voltage	110V
Energy Consumption	Red Indicator Light – 5.06W Amber Indicator Light – 4.29W Green Indicator Light – 4.18W
Current Draw	Red Indicator Light – 46mA Amber Indicator Light – 39mA Green Indicator Light – 38mA
Operating Temperatures	-40°C to +55°C
Operating Humidities	0 to 95% relative humidity

Mechanical Features

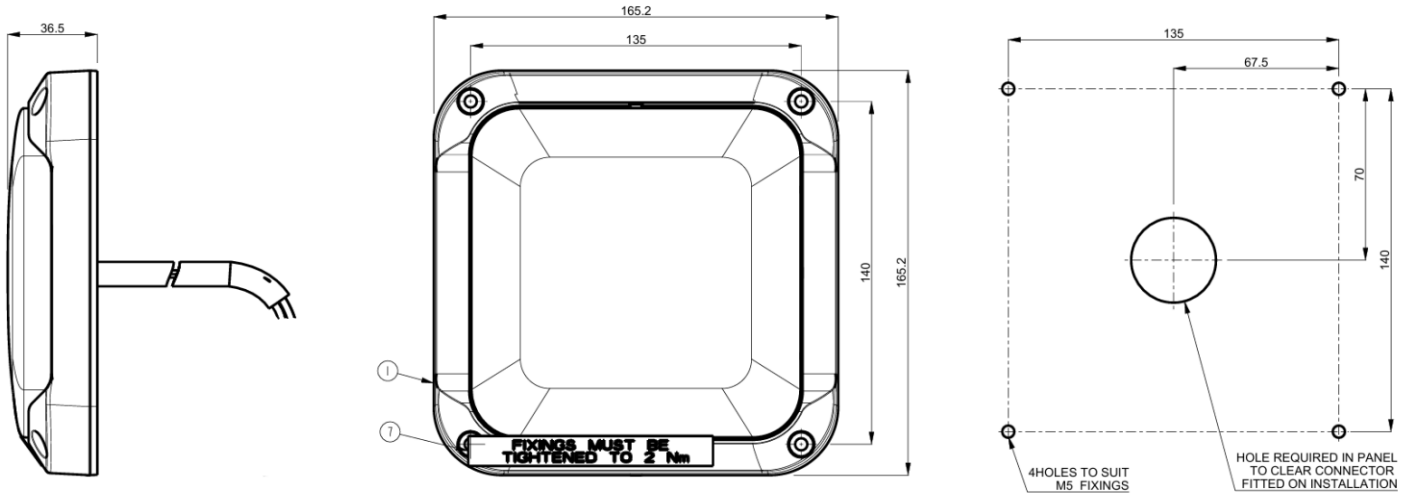
Housing Material	ABS + Polycarbonate, Black
Lens Material	Teijin Polycarbonate L1225Z 100, Clear, Automotive Grade Hardened
Weight	Circa 524.5g
Mounting Arrangement	4x 5mm DIA Fixing Holes (y-axis: 140mm CRS / x-axis: 135mm CRS)
IP Rating	IP66 (Product) / IP54 (Rear of mounted unit)



BMAC[®]
A Methode Electronics Company

Tricolour Lateral Indicator – 2361 series

Unit Dimensions



PANEL CUTOUT DETAILS

Functions Illuminated (Red, Amber, Green)



BMAC[®]
A Methode Electronics Company